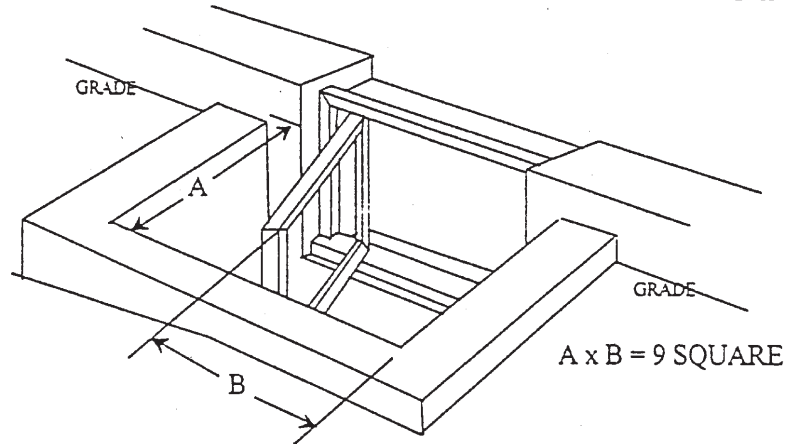


NOTE: This handout was based on the previous State Building Code. It may not reflect current code requirements. April 2003.

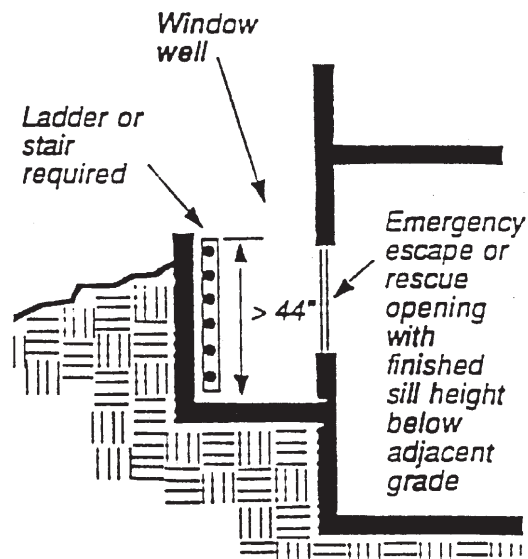


ESCAPE AND RESCUE WINDOW WELL DIMENSIONS

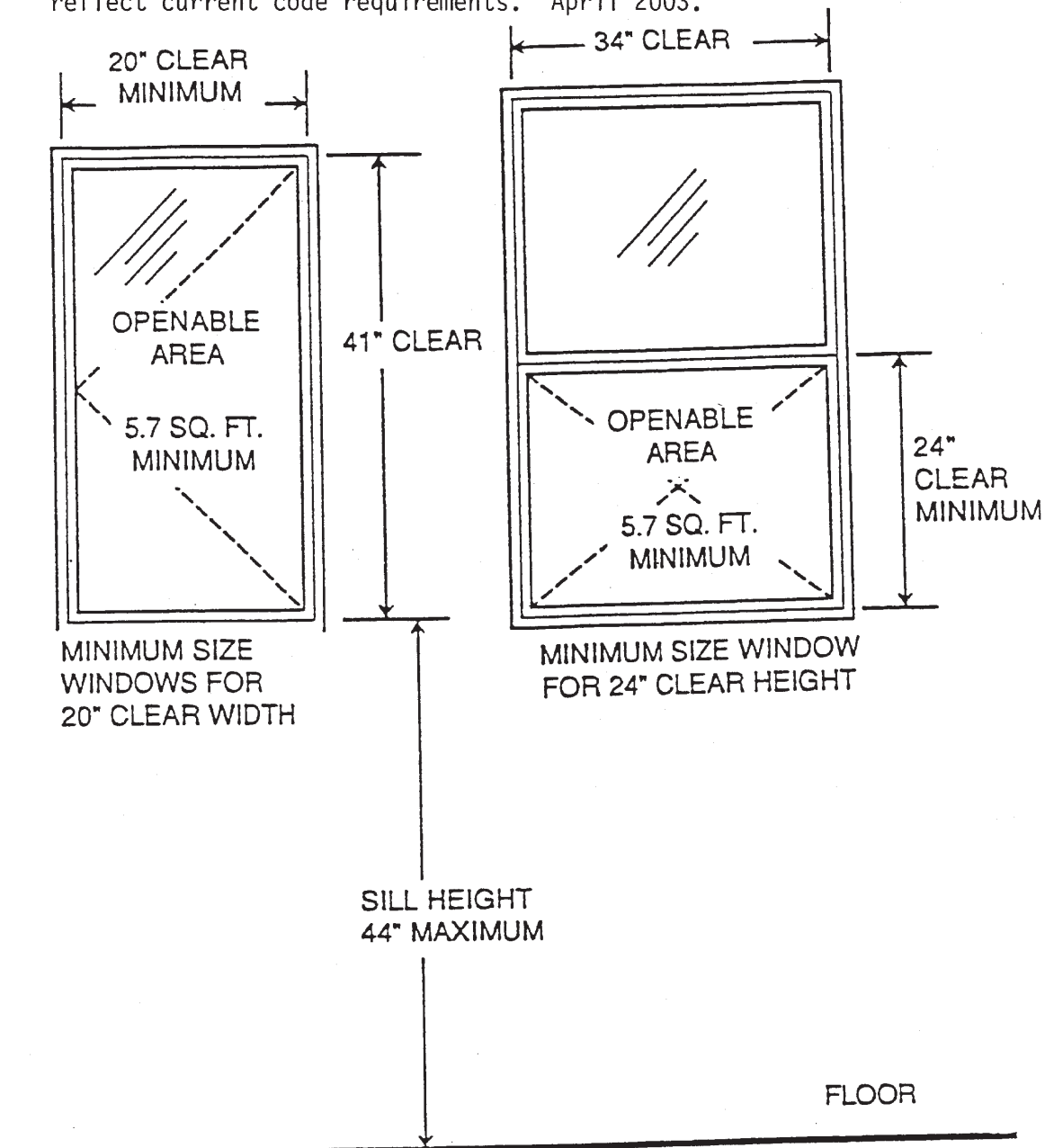


The clear horizontal dimensions shall allow the window to be fully opened and provide a minimum accessible net clear opening of 9 square feet, with a minimum dimension of 36".

Window wells shall be sized so that a window sash, when fully opened through normal operation, does not encroach into the required 9 square foot area specified.



NOTE: This handout was based on the previous State Building Code. It may not reflect current code requirements. April 2003.



- Basement in dwelling unit, or
- sleeping room below the fourth story

ESCAPE OR RESCUE WINDOWS

Section 310.4